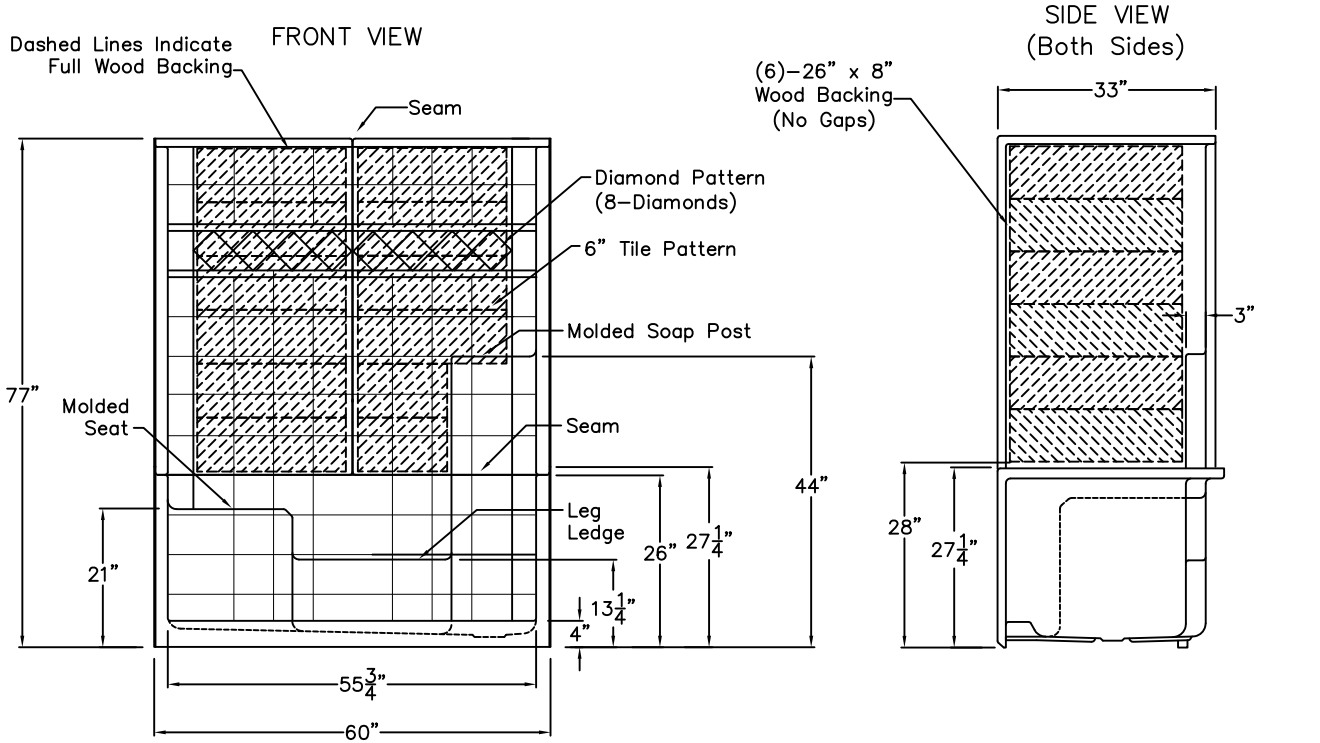


RENOVATIVE BATH SYSTEMS SUBMITTAL DATA



PRAXIS MODEL RRS6032 SH 1S TILE 3 PIECE 60" GELCOAT SHOWER. UNIT HAS LARGE MOLDED SEAT, LEG LEDGE AND CORNER SOAP DISH. TILE FINISH, DIAMOND ACCENTS, AND 4.0" THRESHOLD. THREE PIECE UNIT WITH BASE AND TWO PIECE WALL WITH MIDDLE VERTICAL SEAM. CONFIGURED WITH FULL WOOD BLOCKING ON ALL WALLS.

BASE SEAM IS 26" ABOVE THE BOTTOM OF THE SKIRT.

HANDED BY THE SEAT. LEFT HAND SHOWN, RIGHT HAND AVAILABLE.

DUE TO THE NATURE OF THE MATERIALS
DIMENSIONS MAY VARY ± 1/2"

Job Name:	RENOVATIVE BATH SYSTEMS
Model No.:	Drawing#: RBS 6032 SH 1S 3P Tile FWB
Approved by:	Date Approved: Date: 8-22-08 Revised: 5-24-10
Rep.:	Wholesaler: Quote No.: