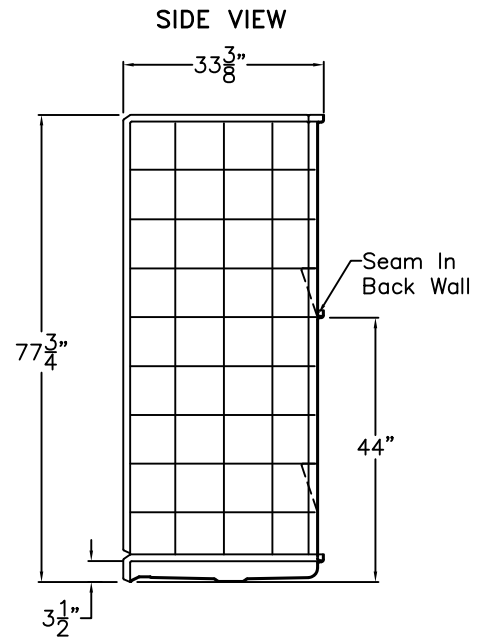
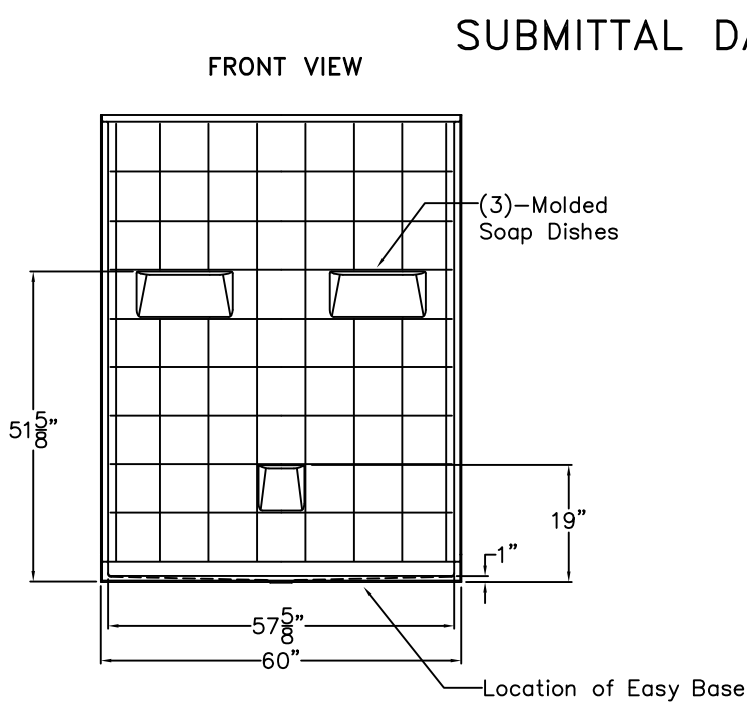


Comfort Series

SUBMITTAL DATA



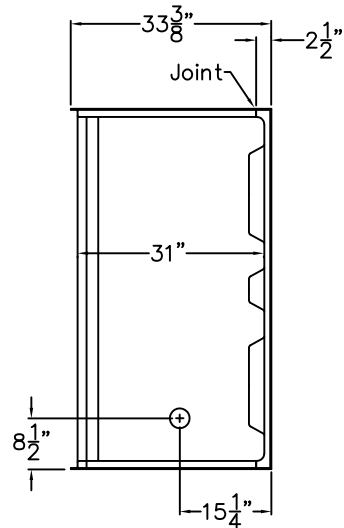
Sectional Shower Stall

The shower enclosure shall be RRS 6033 BF 1.0" 5 Piece, Left or Right Drain. Finished surface shall be of a sanitary-grade polyester Gelcoat, exhibiting a minimal thickness of 15 dry mils, and a finished cured Barcol hardness of 80-90 as tested with ASTM D-2583. Unit construction shall be of molded reinforced fiberglass with a 15% minimum fiberglass content. The unit shall have outside dimensions of 60" x 33 3/8" x 77 3/4". The five piece unit shall meet ANSI Z124.2, NAHB, UPC, complies with CSA, and shall meet the requirements of Southern Building Code.

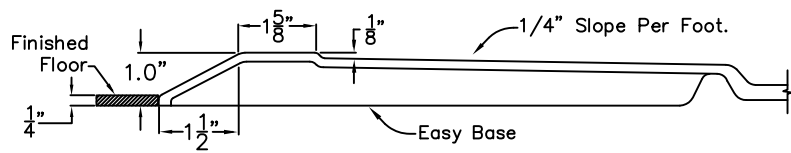
The enclosure shall be equipped with the following installed accessories:

- 1) 1" Change of Level Theshold, 2) Tile Finish, 3) Two Piece Back Wall,
- 4) Three Molded Soap Dishes on Back Wall, 5) Tile finish on walls,
- 6) Full wood backing on walls, 7) Easy Base self-sustaining bottom,
- 8) Left or Right drain location.

TOP VIEW



Detail of 1.0" Threshold



DUE TO THE NATURE OF THE MATERIALS INVOLVED
UNIT DIMENSIONS MAY VARY ± 1/2 INCH

Job Name:

PRAXIS

Model No.:

Drawing#: RBS 6033 BF 5P 1.0 Left or Right
Drain FWB Easy Base

Approved by:

Date Approved:

Date: 8-31-10

Revised: 2-7-11

Rep.:

Wholesaler:

Quote No.

Recyclable Paper