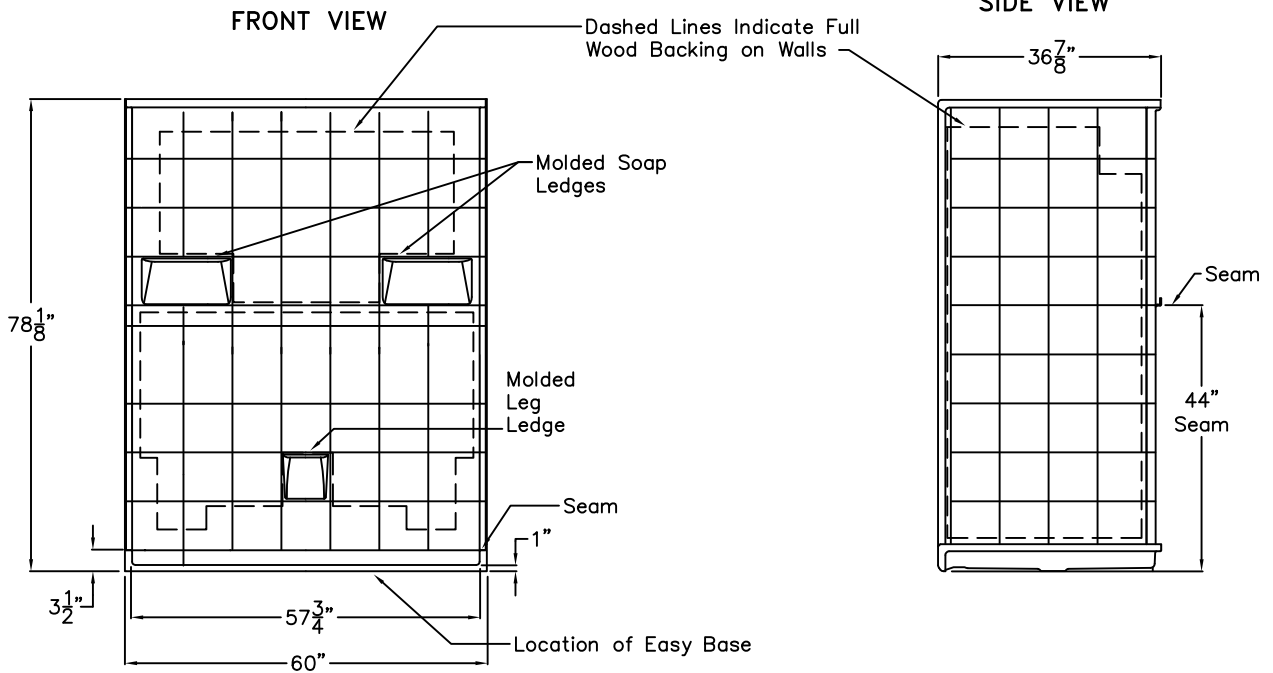


Comfort Series

SUBMITTAL DATA



Sectional Shower Stall

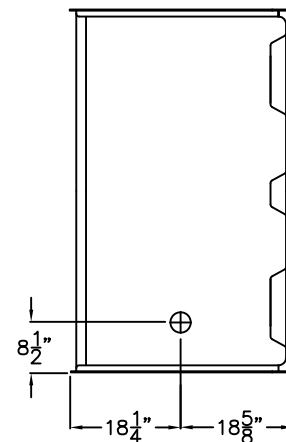
The shower enclosure shall be RBS 6036 BF 5P 1.0 left or right drain. Finished surface shall be of a sanitary-grade polyester Gelcoat exhibiting a minimal thickness of 15 dry mills, and a finished cured Barcoal hardness of 80-90 as tested with ASTM D-2583. Unit construction shall be of molded reinforced fiberglass with a minimum fiberglass 15% content. The unit shall have outside dimensions of 60" x 36 7/8" x 78 1/8".

The 5 piece unit shall meet ANSI Z124.1-2, Home Innovation Research Lab, UPC, CSA, and shall meet the requirements of Southern Building Code.

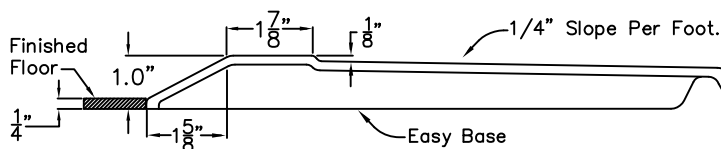
The enclosure shall be equipped with the following installed accessories:

- 1) Molded ledges on the back wall, two high, and one low,
- 2) Five piece sectional design,
- 3) Two piece backwall,
- 4) Full wood backing on walls,
- 5) Factory installed Easy Base self sustaining bottom,
- 6) 1.0" change of level Threshold.

TOP VIEW



Detail of 1.0" Threshold



DUE TO THE NATURE OF THE MATERIALS
UNIT DIMENSIONS MAY VARY ± 1/2 INCH

Renovative Bath Systems

Approved By Print Name:

Drawing#: RBS 6036 BF 1.0 5P L-R FWB
Easy Base

Approved By Signature:

Date Approved:

Date: 3-31-09

Revised: 9-8-15

Rep.:

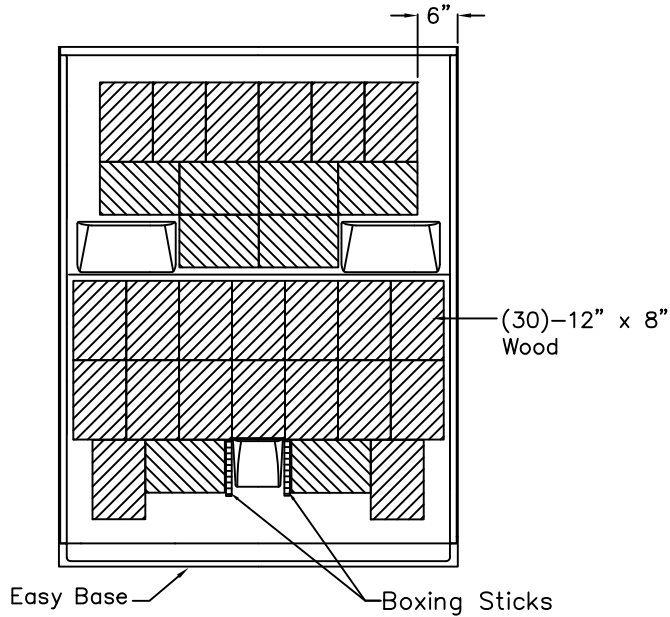
Wholesaler:

Quote No.

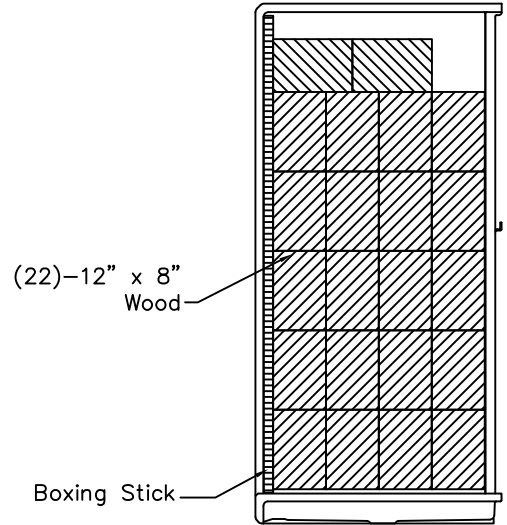
Board Placement Drawing

SUBMITTAL DATA

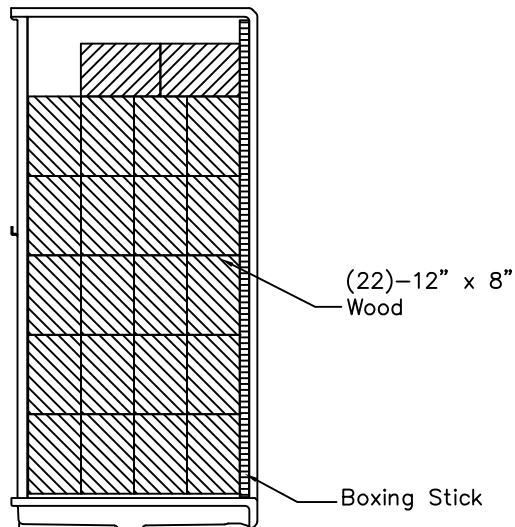
FRONT VIEW



SIDE VIEW



SIDE VIEW



DUE TO THE NATURE OF THE MATERIALS
UNIT DIMENSIONS MAY VARY ± 1/2 INCH

Job Name:	Renovative Bath Systems	
Model No.:	Drawing#: RBS 6036 BF 1.0 5P L-R FWB Easy Base-BP	
Approved by:	Date Approved:	Date: 3-31-09 Revised: 9-8-15
Rep.:	Wholesaler:	Quote No.:

RENOVATIVE BATH SYSTEMS
Richmond Va.
1 800 441 8673