

**3666P**

35<sup>5</sup>/<sub>8</sub>" x 65<sup>1</sup>/<sub>4</sub>" x 23"

Installation: Drop-in  
cannot be under mounted

**GENERAL SPECIFICATIONS:**

**Material Acrylic**

**Plumbed Weight :** 165lbs / 75 kg

**Soaker Weight :** 135 lbs / 61kg

**Average Fill:** 40 gal to above jet level

**ELECTRICAL SPECIFICATIONS:**

Required Electrical Service 110 Volt

Air Bath or Whirlpool 1-15 amp GFCI

Whirlpool with Inline Heater 1-20 amp GFCI

Whirlpool and Air 1-20 amp GFCI

Soaker

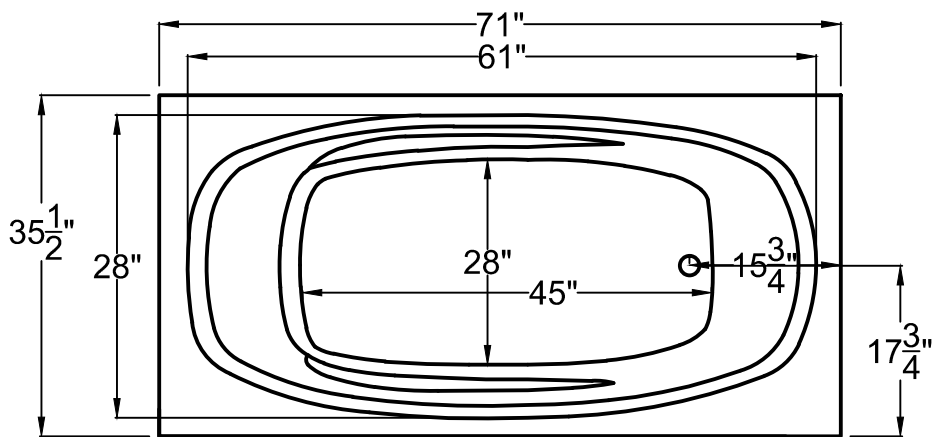
**PACKAGES AND OPTIONS**

Hydrotherapy Package	Package Contents	Part #
Soaker	Soaking bath - no jets, textured bottom	3666PS
Whirlpool	Adjustable pointed-massage jets, 1-hp pump, textured bottom	3666PH
Air Bath	Air jets, Air blower, Textured bottom	3666PA
Whirlpool and Air	Adjustable pointed-massage jets, 1-hp pump, Air jets, Air blower, textured bottom	3666PD

- OPTIONS
- Colors Available - White Biscuit
- Quick Ship - reduces lead time - call for availability
- Inline Heater with Pump - Whirlpool or Whirlpool and Air
- Lift & Turn Drain Kit -Chrome,Brushed Nickel, White
- Color Match Jets.

**IMPORTANT INFORMATION**

- Before ordering or installing, please consider future access to equipment.
- Add bedding compound to fully level and support bottom of tub.
- Tubs equipped with an air bath or a pre-leveled foam base are designed to rest on the floor without bedding compound, provided the floor is level.
- Please measure tub on-site before building tub decking.
- Jet, pump & blower locations are predetermined and cannot be changed.
- Suction and control locations may vary.
- Specifications and configurations are subject to change without notice.
- Measurements are +1/2" and are subject to change without notice.
- Measurements herein supersede all others published prior to publication date shown below.



**3672P**

35<sup>1</sup>/<sub>2</sub>" x 71" x 23"

**Installation:** Drop-in  
cannot be under mounted

**GENERAL SPECIFICATIONS:**

**Material** Acrylic

**Plumbed Weight :** 170lbs / 77kg

**Soaker Weight :** 140lbs / 63kg

**Average Fill:** 50 gal to above jet level

**ELECTRICAL SPECIFICATIONS:**

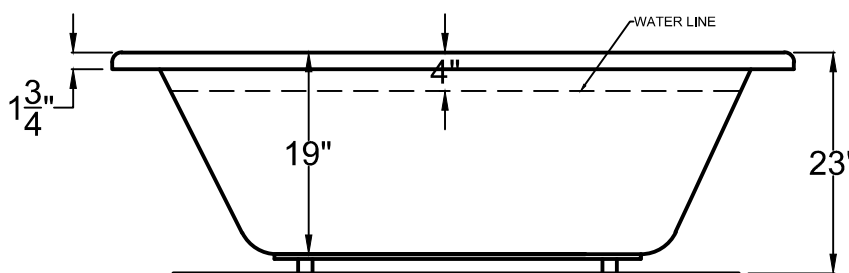
Required Electrical Service 110 Volt

Air Bath or Whirlpool 1-15 amp GFCI

Whirlpool with Inline Heater 1-20 amp GFCI

Whirlpool and Air 1-20 amp GFCI

Soaker



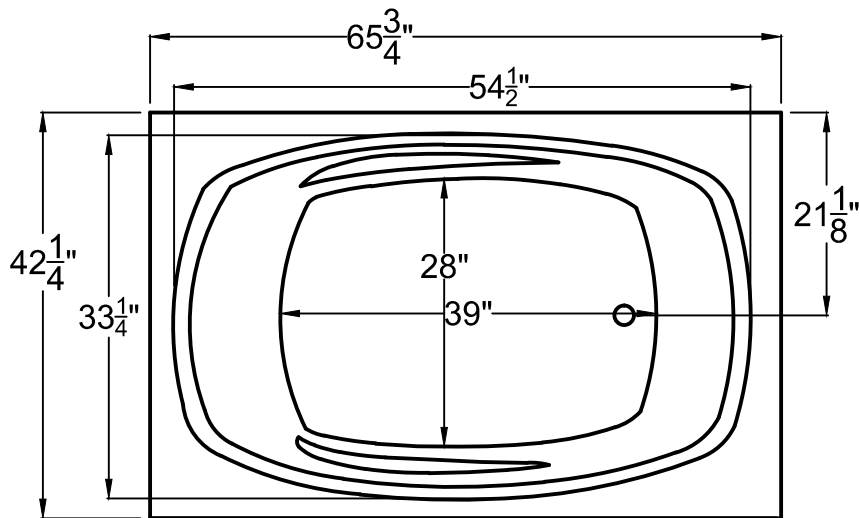
**PACKAGES AND OPTIONS**

Hydrotherapy Package	Package Contents	Part #
Soaker	Soaking bath - no jets, textured bottom	3672PS
Whirlpool	Adjustable pointed-massage jets, 1-hp pump, textured bottom	3672PH
Air Bath	Air jets, Air blower, Textured bottom	3672PA
Whirlpool and Air	Adjustable pointed-massage jets, 1-hp pump, Air jets, Air blower, textured bottom	3672PD

- OPTIONS
- Colors Available - White Biscuit
- Quick Ship - reduces lead time - call for availability
- Inline Heater with Pump - Whirlpool or Whirlpool and Air
- Lift & Turn Drain Kit -Chrome,Brushed Nickel, White
- Color Match Jets.

**IMPORTANT INFORMATION**

- Before ordering or installing, please consider future access to equipment.
- Add bedding compound to fully level and support bottom of tub.
- Tubs equipped with an air bath or a pre-leveled foam base are designed to rest on the floor without bedding compound, provided the floor is level.
- Please measure tub on-site before building tub decking.
- Jet, pump & blower locations are predetermined and cannot be changed.
- Suction and control locations may vary.
- Specifications and configurations are subject to change without notice.
- Measurements are +1/2" and are subject to change without notice.
- Measurements herein supersede all others published prior to publication date shown below.



**4266P**  
42 $\frac{1}{4}$ " x 65 $\frac{3}{4}$ " x 23"

**Installation:** Drop-in  
cannot be under mounted

**GENERAL SPECIFICATIONS:**

**Material** Acrylic

**Plumbed Weight :** 140lbs / 63kg

**Soaker Weight :** 110 lbs / 50 kg

**Average Fill:** 50 gal to above jet level

**ELECTRICAL SPECIFICATIONS:**

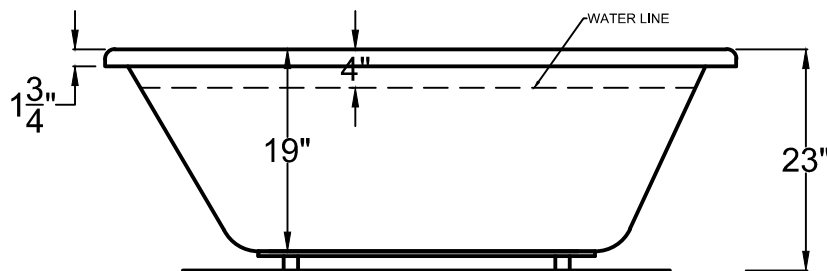
Required Electrical Service 110 Volt

Air Bath or Whirlpool 1-15 amp GFCI

Whirlpool with Inline Heater 1-20 amp GFCI

Whirlpool and Air 1-20 amp GFCI

Soaker



**PACKAGES AND OPTIONS**

Hydrotherapy Package	Package Contents	Part #
Soaker	Soaking bath - no jets, textured bottom	4266PS
Whirlpool	Adjustable pointed-massage jets, 1-hp pump, textured bottom	4266PH
Air Bath	Air jets, Air blower, Textured bottom	4266PA
Whirlpool and Air	Adjustable pointed-massage jets, 1-hp pump, Air jets, Air blower, textured bottom	4266PD

- OPTIONS
- Colors Available - White Biscuit
- Quick Ship - reduces lead time - call for availability
- Inline Heater with Pump - Whirlpool or Whirlpool and Air
- Lift & Turn Drain Kit -Chrome,Brushed Nickel, White
- Color Match Jets.

**IMPORTANT INFORMATION**

- Before ordering or installing, please consider future access to equipment.
- Add bedding compound to fully level and support bottom of tub.
- Tubs equipped with an air bath or a pre-leveled foam base are designed to rest on the floor without bedding compound, provided the floor is level.
- Please measure tub on-site before building tub decking.
- Jet, pump & blower locations are predetermined and cannot be changed.
- Suction and control locations may vary.
- Specifications and configurations are subject to change without notice.
- Measurements are +1/2" and are subject to change without notice.
- Measurements herein supersede all others published prior to publication date shown below.

**4272P**

41 $\frac{1}{4}$ " x 71" x 23"

Installation: Drop-in  
cannot be under mounted

**GENERAL SPECIFICATIONS:**

**Material Acrylic**

**Plumbed Weight :** 150lbs / 68kg

**Soaker Weight :** 120 lbs / 55 kg

**Average Fill:** 55 gal to above jet level

**ELECTRICAL SPECIFICATIONS:**

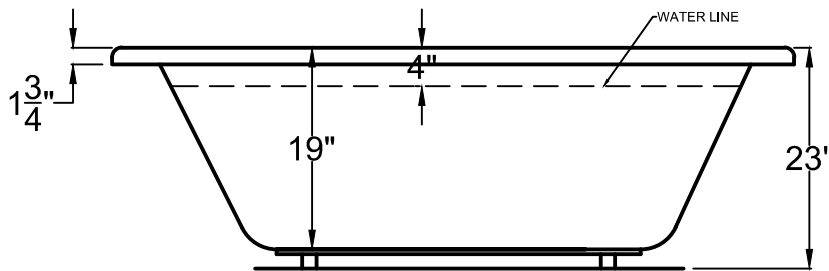
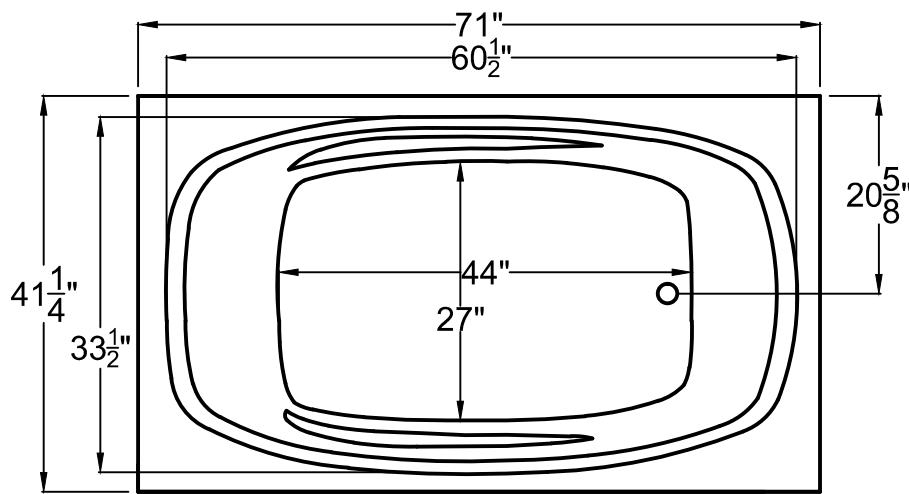
Required Electrical Service 110 Volt

Air Bath or Whirlpool 1-15 amp GFCI

Whirlpool with Inline Heater 1-20 amp GFCI

Whirlpool and Air 1-20 amp GFCI

Soaker



**PACKAGES AND OPTIONS**

Hydrotherapy Package	Package Contents	Part #
Soaker	Soaking bath - no jets, textured bottom	4772PS
Whirlpool	Adjustable pointed-massage jets, 1-hp pump, textured bottom	4772PH
Air Bath	Air jets, Air blower, Textured bottom	4772PA
Whirlpool and Air	Adjustable pointed-massage jets, 1-hp pump, Air jets, Air blower, textured bottom	4772PD

- OPTIONS
- Colors Available - White Biscuit
- Quick Ship - reduces lead time - call for availability
- Inline Heater with Pump - Whirlpool or Whirlpool and Air
- Lift & Turn Drain Kit -Chrome,Brushed Nickel, White
- Color Match Jets.

**IMPORTANT INFORMATION**

- Before ordering or installing, please consider future access to equipment.
- Add bedding compound to fully level and support bottom of tub.
- Tubs equipped with an air bath or a pre-leveled foam base are designed to rest on the floor without bedding compound, provided the floor is level.
- Please measure tub on-site before building tub decking.
- Jet, pump & blower locations are predetermined and cannot be changed.
- Suction and control locations may vary.
- Specifications and configurations are subject to change without notice.
- Measurements are +1/2" and are subject to change without notice.
- Measurements herein supersede all others published prior to publication date shown below.